

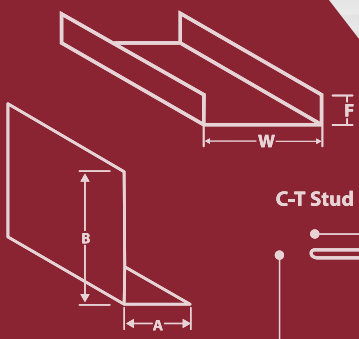
LIGHT GAUGE METAL FRAMING ACCESSORIES



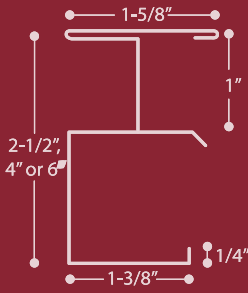
TELLING



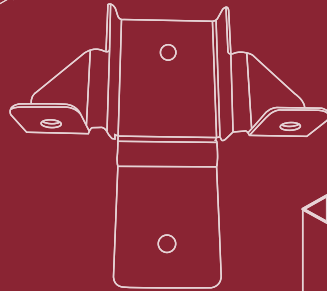
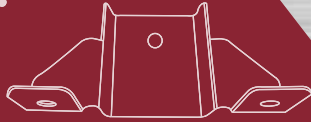
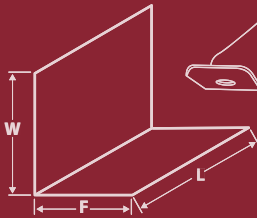
BuildStrong.com



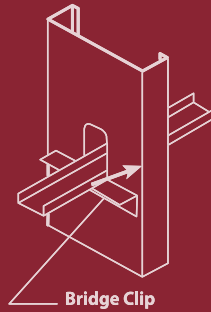
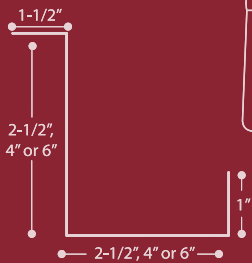
C-T Stud



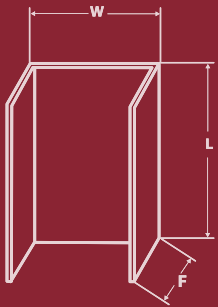
C-T Stud Detail



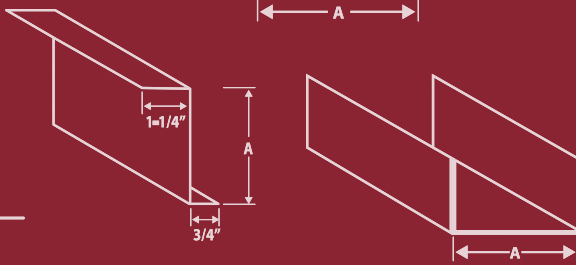
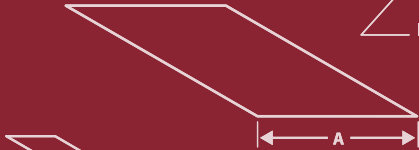
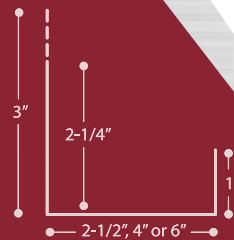
J-L Corner



Bridge Clip



J Track



THE LEADER IN METAL FRAMING INNOVATION!



TABLE OF CONTENTS

- Shaftwall System**..... 3-5
 - CT Stud 3
 - J Track..... 4
 - J-L Corner 4

- Area Separation Wall Framing**..... 5

- Drywall Furring Channel (DWFC)** 6
 - (DWFC) Allowable Ceiling Spans - L/240
 - (DWFC) Allowable Ceiling Spans - L/360

- (CRC) Cold-Rolled Channel**..... 7
 - U-Channel (CRC) Section Properties
 - Allowable U-Channel (CRC) Ceiling Spans - L/240
 - Allowable U-Channel (CRC) Ceiling Spans - L/360

- True-Brace Mechanical Bridging and Bracing**..... 8

- True-Bridge Clips (Telling Specialty Clips)**..... 9
 - Clip Angles / Utility Angles
 - Resilient Furring Channel (RC)
 - Z-Furring Channel (ZFC)

- Utility Angle/Rolled Angle (RA) (Telling Specialty Clips)**.....10
 - Custom Hole Punch Patterns10
 - Hole Standard Offering
 - Right Angle/Clip Angle Custom Holes
 - Flat Strap Custom Holes
 - Z Furring Custom Holes

- KB-Kwik-Back - Wall Support Clip (Telling Specialty Clips)**11

- Resilient Furring Channel (RC-1)**12
 - Acoustical Data

- True-Flatstrap (FS)**13

- Z-Furring Channel (ZFC)**14
 - Reveal Trim (RT)
 - 093 Expansion Control Joint
 - Custom Leg Track (CLT)
 - Web Stiffeners (WS)

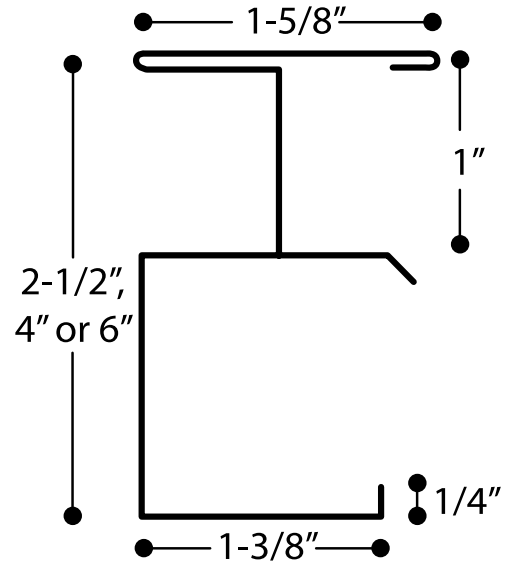
- Slotted Track - (True Action)** 15-16

- Titan Header System**17

- VersaDry Track System**..... 18-19

SHAFTWALL SYSTEM: CT STUD

Shaftwall systems are used to aid in the construction of elevator shafts, mechanical shafts, stairwells, air return shafts and horizontal membranes. The system is designed to use with 1" gypsum board. Telling's shaftwall is available in 2 1/2", 4", or 6" sizes. Shaftwall is available in 18, 33 and 40 mil thicknesses.



CT Stud Product Offering

Section	Web (in)	Min Thickness (in)	Design Thickness (in)	Fy (ksi)
CT-18	2.5", 4.0", 6.0"	0.0179	0.0188	33
CT-33	2.5", 4.0", 6.0"	0.0329	0.0346	33
CT-40	2.5", 4.0", 6.0"	0.0380	0.0400	33

CT Stud Section Properties

Section	Min Thickness (in)	Design Thickness (in)	Fy (ksi)	Weight (lb/ft)	Area (in ²)	Ixx (in ⁴)	Sx(C) (in ³)	Sx(T) (in ³)
250CT-18	0.0179"	0.0188"	33	0.47	0.118	0.132	0.095	0.118
400CT-18	0.0179"	0.0188"	33	0.58	0.015	0.374	0.171	0.207
600CT-18	0.0179"	0.0188"	33	0.72	0.181	0.957	0.299	0.347
250CT-33	0.0329"	0.0346"	33	0.82	0.218	0.242	0.175	0.217
400CT-33	0.0329"	0.0346"	33	1.02	0.267	0.687	0.341	0.380
600CT-33	0.0329"	0.0346"	33	1.26	0.333	1.759	0.543	0.637
250CT-40	0.0380"	0.0400"	33	0.99	0.291	0.273	0.253	0.192
400CT-40	0.0380"	0.0400"	33	1.19	0.351	0.811	0.476	0.353
600CT-40	0.0380"	0.0400"	33	1.47	0.431	2.142	0.827	0.628

CT Stud & J Track Limiting Wall Heights

Limiting Wall Heights for CT Studs & J Track Shaftwall 1-Hour Fire Rated Assemblies

Section	Design Thickness (in)	5 psf				7.5 psf				10 psf			
		L/120	L/180	L/240	L/360	L/120	L/180	L/240	L/360	L/120	L/180	L/240	L/360
250CT-18	0.0188"	11'7" f	11' - 4"	10' - 6"	9' - 0"	9' - 5" f	9'5" f	8'11"		8'2" f	8'2" f	7'10"	
400CT-18	0.0188"	14'6" f	14'6" f	13 - 9	12 - 1	11-10 f	11-10 f	11-10f	10-5	9-3s	9-3s	9-3s	9-3s
600CT-18	0.0188"	16'11" f	16 - 11f	16 - 11f	16 - 3	13-10 f	13-10 f	13-10f	13-10f	12-0f	12-0f	12-0f	12-0f
250CT-33	0.0346"	15'9"	13 - 9	12 - 6	10 - 11	13 - 9	12-0	10-11	9-6	12-6	10-11		8-7
400CT-33	0.0346"	21'7"	18 - 10	17 - 2	15 - 0	18-9f	16-6	15-0	13-1	16-2f	15-0	13-7	11-10
600CT-33	0.0346"	27'10" f	25 - 3	22 - 11	20 - 1	22-9f	22-1	20-1	17-6	19-5f	19-5f	18-3	15-11
250CT-40	0.0400"	16'11"	14 - 9	13 - 5	11 - 9	14-9	12-11	11-9	10-2	13-5	11-9	10-7	9-2
400CT-40	0.0400"	23'4"	20 - 4	18 - 6	16 - 2	20-4	17-9	16-2	14-1	18-6	16-2	14-8	12-10
600CT-40	0.0400"	30'11"	27 - 1	24 - 8	21 - 7	27-1	23-9	21-7	18-11	24-7f	21-7	19-8	17-3

NOTES:

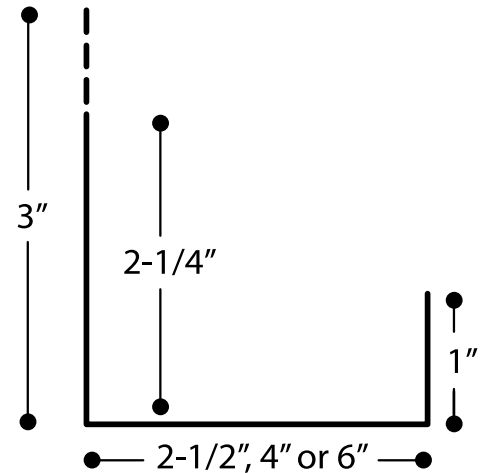
1. Allowable composite limiting heights are calculated using ICC-ES-AC86-2012
2. "f" indicates flexural stress controls the allowable wall height
3. "s" indicates the end reaction controls the allowable wall height
4. Wall Construction was: Type X 5/8" thick Gypsum board, & #6 screws
5. Stud Spacing was 24" on center
6. 600CT-33 and 600CT-40 assemblies require a 6 in screw spacing for the gypsum board along the top & bottom track.

SHAFTWALL SYSTEM: J TRACK

Shaftwall systems are used to aid in the construction of elevator shafts, mechanical shafts, stairwells, air return shafts and horizontal membranes. The system is designed to use with 1" gypsum board. Telling's shaftwall is available in 2 1/2", 4", or 6" sizes. Shaftwall is available in 18, 33 and 40 mil thicknesses.

J Track Product Offering

Section	Web (in)	Flange (in)	Min Thickness (in)	Design Thickness (in)	Fy (ksi)
JT-18	2.5", 4.0", 6.0"	2.25" & 3.0"	0.0179	0.0188	33
JT-33	2.5", 4.0", 6.0"	2.25" & 3.0"	0.0329	0.0346	33



J Track Sectional Properties

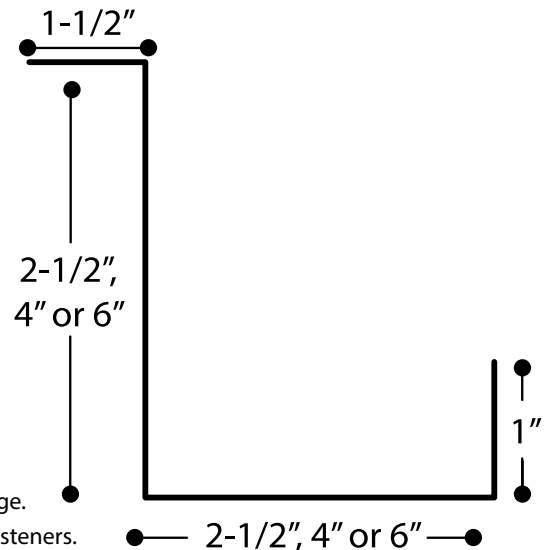
Section	Min Thickness (in)	Design Thickness (in)	Fy (ksi)	Weight (lb/ft)	Area (in ²)	Ixx (in ⁴)	Rx (in)	Iyy (in ⁴)	Ry (in)
250JT225-18	0.0179	0.0188"	33	0.3681	0.1082	0.1193	1.05	0.0471	0.6601
400JT225-18	0.0179	0.0188"	33	0.464	0.1364	0.3404	1.5799	0.0532	0.6247
600JT225-18	0.0179	0.0188"	33	0.592	0.174	0.878	2.2466	0.0583	0.5787
250JT300-18	0.0179	0.0188"	33	0.4161	0.1223	0.1322	1.0399	0.1025	0.9155
400JT300-18	0.0179	0.0188"	33	0.512	0.1505	0.3772	1.5834	0.1158	0.8774
600JT300-18	0.0179	0.0188"	33	0.64	0.1881	0.9689	2.2697	0.1274	0.823
250JT225-33	0.0329	0.0346"	33	0.6765	0.1988	0.22	1.052	0.086	0.6575
400JT225-33	0.0329	0.0346"	33	0.8531	0.2507	0.6269	1.5813	0.097	0.622
600JT225-33	0.0329	0.0346"	33	1.0886	0.3199	1.6159	2.2474	0.1061	0.576
250JT300-33	0.0329	0.0346"	33	0.7648	0.2248	0.244	1.0419	0.1874	0.9131
400JT300-33	0.0329	0.0346"	33	0.9414	0.2767	0.695	1.5849	0.2117	0.8748
600JT300-33	0.0329	0.0346"	33	1.1769	0.3459	1.7835	2.2708	0.2328	0.8204

SHAFTWALL SYSTEM: JL CORNER

Shaftwall systems are used to aid in the construction of elevator shafts, mechanical shafts, stairwells, air return shafts and horizontal membranes. The system is designed to use with 1" gypsum board. MBA's shaftwall is available in 2 1/2", 4", or 6" sizes. Shaftwall is available in 18 and 33 mil thicknesses.

J-L Corner Product Offering

Section	Web (in)	Flange (in)	Min Thickness (in)	Design Thickness (in)	Fy Yield Stress (ksi)	Notes
JL-18	2.5", 4.0", 6.0"	2.5", 4.0", 6.0"	0.0179"	0.0188"	33	12' max length
JL-33	2.5", 4.0", 6.0"	2.5", 4.0", 6.0"	0.0329"	0.0346"	33	12' max length
JL-40	2.5", 4.0", 6.0"	2.5", 4.0", 6.0"	0.0038"	0.0400"	33	12' max length



Recommendations

- Use a fastening plate to secure the J track whenever fasteners are closer than 4" to the edge. Setting the plate at the time of concrete construction will avoid spalling by mechanical fasteners.
- Cut C-T studs 3/4" less than the height of the opening.
- Cut 1" shaftliner panel 3/4" less than the height of the opening.
- In structural steel-frame construction, install J track sections before applying spray-on fireproofing.
- Items to be anchored to the wall (cabinets, sinks, handrails, etc.) should be fastened to the C-T or to plates secured behind or between layers of 1/2" Type C gypsum board.
- Joint compounds should be applied at ambient temperatures above 50°F (10°C) with adequate ventilation.
- Use Type S screws for 25-gauge steel framing. Use Type S-12 screws for 20-gauge (or heavier) steel framing.
- It is important that the job structural engineer approves the type, size and maximum spacing of track fasteners to meet the design load requirements.

AREA SEPARATION WALL FRAMING

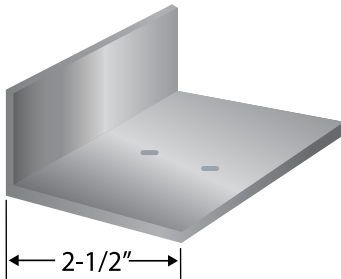
Product Data:

- 2-hour rated vertical wall assemblies that provide fire-resistant protection between adjacent living units
- Area Separation Walls are also referred to as party walls, firewalls, multi-family walls and H-Stud assemblies

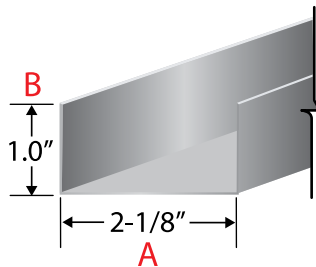
Uses:

- Non-load bearing, 2-hour rated vertical wall assemblies that provide fire-resistant protection between adjacent living units in apartment buildings, condominiums and townhouses
- Assembled between two independent walls to form a commonly shared party wall that extends from the foundation through the roofline
- The walls are assembled with two-1" thick gypsum panel liners vertically installed between 2" H-Studs spaced 24"
- C-Runners or H-Tracks are installed at the top and bottom of the walls and back-to-back between vertically stacked panels.
- Overall stacked area separation wall assembly cannot exceed 50 feet

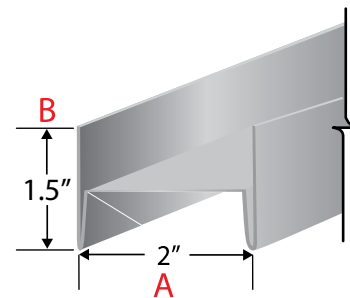
Aluminum Angle Clip



C-Track, Cap, Edge or End Closure



H-Stud, 25-Gauge



C TRACK PRODUCT OFFERING

Section	Web (A) inches	Leg (B) inches	Coatings
213ASW-AST100-18	2.125"	1.0"	G40 standard. G60 & G90 with upcharge

TRACK SECTIONAL PROPERTIES

Section	Design Thickness (in)	Min Thickness (in)	Fy (ksi)	Weight (lb/ft)	Area (in ²)	Ixx (in ⁴)	Rx (in)	Iyy (in ⁴)	Ry (in)
213ASW-AST100-18	0.0188"	0.0179"	33	0.26	0.075	0.054	0.847	0.008	0.319

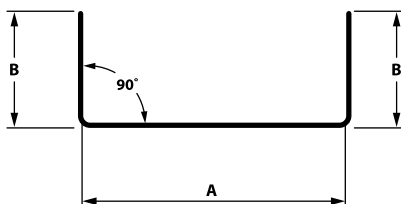
H STUD PRODUCT OFFERING

Section	Web (A) inches	Flange (B) inches	Double Wall Flange (C) inches	Hem Lip (D) inches	Coatings
200ASW-HS200	2.0"	1.50"	0.75"	0.0625" min	G40 standard G60 & G90 with upcharge

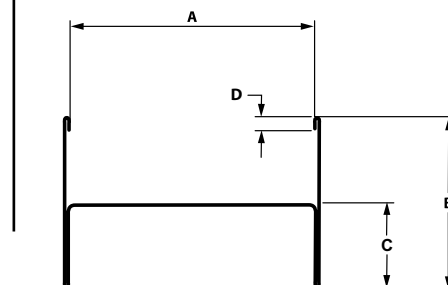
H STUD SECTIONAL PROPERTIES

Section	Design Thickness (in)	Min Thickness (in)	Fy (ksi)	Weight (lb/ft)	Area (in ²)	Ixx (in ⁴)	Rx (in)	Iyy (in ⁴)	Ry (in)
200ASW-HS200	0.0188"	0.0179"	33	0.70	0.205	0.185	0.952	0.118	0.760

C Track



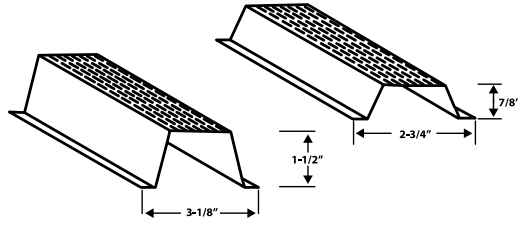
H Stud





LIGHT GAUGE METAL FRAMING ACCESSORIES

(DWFC) DRYWALL FURRING CHANNEL



Product Data:

- Available in 7/8" and 1-1/2" sizes.
- Gauge: Standard 25 through 12 gauges.
- Lengths: 12' 0": stock length, (other lengths available).
- Consult Telling Industries' light gauges structural framing and accessories brochure for structural properties and span tables

Uses:

- Conventional accessory components for use in furring out ceilings and masonry walls. Knurled face prevents screw "ride" when attaching gypsum wallboard.
- 1-1/2" DWFC is economical with respect to furring walls with electrical boxes, (no need to set into concrete).

DRYWALL FURRING CHANNELS (DWFC): SECTION PROPERTIES

Section	50Fy (ksi)	Design Thickness (in)	Gross Properties						Effective Properties		
			Area (in ²)	Weight (lb/ft)	Ix (in ⁴)	Rx (in)	Iy (in ⁴)	Ry (in)	Ix (in ⁴)	Sx (in ³)	Ma (Ft-lb)
DWFC088-18	33	0.0188	0.070	0.239	0.009	0.356	0.035	0.710	0.009	0.016	26.4
DWFC088-30	33	0.0312	0.115	0.391	0.014	0.353	0.058	0.710	0.014	0.031	50.5
DWFC088-43	33	0.0451	0.162	0.550	0.020	0.348	0.082	0.711	0.020	0.042	69.2
DWFC088-54	50	0.0566	0.197	0.669	0.023	0.345	0.099	0.711	0.023	0.050	124.9
DWFC150-18	33	0.0188	0.094	0.320	0.031	0.575	0.047	0.705	0.030	0.034	56.6
DWFC150-30	33	0.0312	0.154	0.525	0.050	0.571	0.077	0.705	0.050	0.064	105.3
DWFC150-43	33	0.0451	0.219	0.745	0.070	0.565	0.109	0.705	0.070	0.089	146.3
DWFC150-54	50	0.0566	0.269	0.914	0.084	0.561	0.134	0.705	0.084	0.107	267.2

- Notes:
1. Properties based on the 2007 NASPEC
 2. Design thickness used for determination of properties. Minimum delivered thickness must be no less than 95% of design thickness.
 3. For deflection calculations, use effective Ixx. Effective Ixx based on Procedure 1 of NASPEC
 4. Effective properties are given as the minimum value for positive or negative bending

DRYWALL FURRING CHANNEL (DWFC) ALLOWABLE CEILING SPANS - L/240

Section	Fy (ksi)	Spans	4 psf Spacing (in) oc						Uniform Load 6 psf Spacing (in) oc			13 psf Spacing (in) oc		
			12		16		24		12		16		24	
			12	16	24	12	16	24	12	16	24	12	16	24
DWFC088-18	33	Single	5'-2"	4'-9"	4'-1"	4'-6"	4'-1"	3'-7"	3'-6"	3'-2"	2'-9"			
		Multiple	6'-5"	5'-10"	5'-1"	5'-7"	5'-1"	4'-2"	4'-0"	3'-6"	2'-9"			
DWFC088-30	33	Single	6'-5"	5'-7"	4'-11"	5'-5"	4'-11"	4'-3"	4'-2"	3'-9"	3'-4"			
		Multiple	6'-2"	6'-11"	6'-1"	6'-8"	6'-1"	5'-3"	5'-2"	4'-8"	3'-11"			
DWFC088-43	33	Single	7'-7"	6'-3"	5'-5"	6'-0"	5'-5"	4'-9"	4'-7"	4'-2"	3'-8"			
		Multiple	6'-10"	7'-8"	6'-9"	7'-5"	6'-9"	5'-10"	5'-9"	5'-2"	4'-6"			
DWFC088-54	50	Single	8'-6"	6'-7"	5'-9"	6'-4"	5'-9"	5'-0"	4'-11"	4'-5"	3'-11"			
		Multiple	9'-0"	8'-2"	7'-2"	7'-10"	7'-2"	6'-3"	6'-1"	5'-6"	4'-10"			
DWFC150-18	33	Single	7'-11"	7'-2"	6'-3"	6'-11"	6'-3"	5'-6"	5'-4"	4'-10"	4'-2"			
		Multiple	9'-9"	8'-10"	7'-5"	8'-6"	7'-5"	5'-11"	5'-7"	4'-9"	3'-8"			
DWFC150-30	33	Single	9'-5"	8'-6"	7'-5"	8'-2"	7'-5"	6'-6"	6'-4"	5'-9"	5'-0"			
		Multiple	11'-7"	10'-6"	9'-2"	10'-2"	9'-2"	7'-10"	7'-10"	7'-0"	5'-8"			
DWFC150-43	33	Single	10'-6"	9'-6"	8'-4"	9'-2"	8'-4"	7'-3"	7'-1"	6'-5"	5'-7"			
		Multiple	12'-11"	11'-9"	10'-3"	11'-4"	10'-3"	9'-0"	8'-9"	7'-11"	6'-8"			
DWFC150-54	50	Single	11'-2"	10'-1"	8'-10"	9'-9"	8'-10"	7'-9"	7'-6"	6'-10"	6'-0"			
			13'-9"	12'-6"	10'-11"	12'-0"	10'-11"	9'-7"	9'-4"	8'-5"	7'-5"			

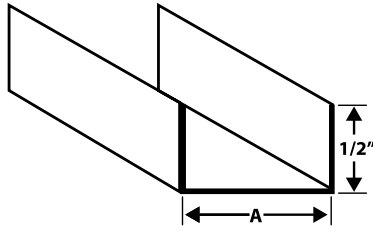
DRYWALL FURRING CHANNEL (DWFC) ALLOWABLE CEILING SPANS - L/360

Section	Fy (ksi)	Spans	4 psf Spacing (in) oc						Uniform Load 6 psf Spacing (in) oc			13 psf Spacing (in) oc		
			12		16		24		12		16		24	
			12	16	24	12	16	24	12	16	24	12	16	24
DWFC088-18	33	Single	4'-6"	4'-1"	3'-7"	4'-0"	3'-7"	3'-2"	3'-1"	2'-9"	2'-5"			
		Multiple	5'-7"	5'-1"	4'-5"	4'-11"	4'-5"	3'-11"	3'-9"	3'-5"	2'-9"			
DWFC088-30	33	Single	5'-5"	4'-11"	4'-3"	4'-8"	4'-3"	3'-9"	3'-8"	3'-4"	2'-11"			
		Multiple	6'-8"	6'-1"	5'-3"	5'-10"	5'-3"	4'-7"	4'-6"	4'-1"	3'-7"			
DWFC088-43	33	Single	6'-0"	5'-5"	4'-9"	5'-3"	4'-9"	4'-2"	4'-0"	3'-8"	3'-2"			
		Multiple	7'-5"	6'-9"	5'-10"	6'-6"	5'-10"	5'-2"	5'-0"	4'-6"	4'-0"			
DWFC088-54	50	Single	6'-4"	5'-9"	5'-0"	5'-7"	5'-0"	4'-5"	4'-3"	3'-11"	3'-5"			
		Multiple	7'-10"	7'-2"	6'-3"	6'-10"	6'-3"	5'-5"	5'-4"	4'-10"	4'-2"			
DWFC150-18	33	Single	6'-11"	6'-3"	5'-6"	6'-0"	5'-6"	4'-9"	4'-8"	4'-3"	3'-8"			
		Multiple	8'-6"	7'-9"	6'-9"	7'-5"	6'-9"	5'-11"	5'-7"	4'-9"	3'-8"			
DWFC150-30	33	Single	8'-2"	7'-5"	6'-6"	7'-2"	6'-6"	5'-8"	5'-6"	5'-0"	4'-5"			
		Multiple	10'-2"	9'-2"	8'-0"	8'-10"	8'-0"	7'-0"	6'-10"	6'-3"	5'-5"			
DWFC150-43	33	Single	9'-2"	8'-4"	7'-3"	8'-0"	7'-3"	6'-4"	6'-2"	5'-7"	4'-11"			
		Multiple	11'-4"	10'-3"	9'-0"	9'-11"	9'-0"	7'-10"	7'-8"	6'-11"	6'-1"			
DWFC150-54	50	Single	9'-9"	8'-10"	7'-9"	8'-6"	7'-9"	6'-9"	6'-7"	6'-0"	5'-3"			
			12'-0"	10'-11"	9'-7"	10'-6"	9'-7"	8'-4"	8'-2"	7'-5"	6'-5"			

- Notes:
1. Single spans taken as the minimum span based on moment, shear, web crippling or deflection
 2. Multiple spans indicate two or more equal, continuous spans with span length measured support to support.
 3. Multiple spans taken as the minimum span based on moment, shear, web crippling, deflection combined bending and shear or combined and web crippling
 4. Web crippling values based on 1" bearing at end and interior supports.

LIGHT GAUGE METAL FRAMING ACCESSORIES

(CRC) COLD-ROLLED CHANNEL



Product Data:

- Available in galvanized steel meeting ASTM A-1003 or hot-dipped galvanized steel meeting ASTM A-653, G60.
- Lengths: 16' stock length. (Other lengths available)

Uses:

- Bridging, (lateral support) in walls carrying axial and/or wind loads.
- Bracing studs at door bucks and furring for ceilings.
- Used in conjunction with metal lath and plaster in partitions, ceilings, column and beam enclosures, etc.

U-CHANNEL (CRC) SECTION PROPERTIES

Section	Design Thickness (in)	Gross						Effective Properties 33 ksi			
		Area (in ²)	Weight (lb/ft)	I _x (in ⁴)	R _x (in)	I _y (in ⁴)	R _y (in)	I _x (in ⁴)	S _x (in ³)	Ma (in-k)	V _a (lb)
CRC-075	0.0566	0.087	0.30	0.007	0.288	0.002	0.155	0.007	0.019	0.45	315
CRC-150	0.0566	0.129	0.44	0.039	0.547	0.003	0.144	0.039	0.052	1.22	840
CRC-200	0.0566	0.157	0.54	0.079	0.079	0.003	0.136	0.079	0.079	1.87	1190
CRC-250	0.0566	0.186	0.63	0.139	0.866	0.003	0.128	0.139	0.111	2.64	1540

- Notes:
1. Minimum deliverable base metal thickness is 95% of design thickness.
 2. Inside bend radius taken as 3/32"
 3. Effective properties based on F_y = 33ksi
 4. For deflection calculations, use the effective moment of inertia

ALLOWABLE U-CHANNEL (CRC) CEILING SPANS - L/240

Section	Spans	4 psf					6 psf					13 psf					15 psf				
		Channel Spacing (in) o.c.					Channel Spacing (in) o.c.					Channel Spacing (in) o.c.					Channel Spacing (in) o.c.				
		24	36	48	60	72	24	36	48	60	72	24	36	48	60	72	24	36	48	60	72
CRC-075	Single	3' 11"	3' 5"	3' 1"	2' 10"	2' 8"	3' 5"	3' 0"	2' 8"	2' 6"	2' 4"	2' 7"	2' 4"	2' 1"	1' 11"	1' 9"	2' 6"	2' 2"	2' 0"	1' 10"	1' 8"
	Multiple	4' 10"	4' 2"	3' 10"	3' 7"	3' 4"	4' 2"	3' 8"	3' 4"	3' 1"	2' 10"	3' 3"	2' 9"	2' 4"	2' 1"	1' 11"	3' 1"	2' 7"	2' 2"	2' 0"	1' 9"
CRC-150	Single	5' 6"	4' 10"	4' 5"	4' 1"	3' 10"	4' 10"	4' 3"	3' 10"	3' 7"	3' 5"	3' 9"	3' 3"	3' 0"	2' 9"	2' 7"	3' 7"	3' 2"	2' 10"	2' 7"	2' 5"
	Multiple	7' 1"	6' 2"	5' 8"	5' 3"	4' 11"	6' 2"	5' 5"	4' 11"	4' 7"	4' 4"	4' 10"	4' 2"	3' 9"	3' 4"	3' 0"	4' 7"	4' 0"	3' 6"	3' 1"	2' 9"
CRC-200	Single	5' 10"	5' 1"	4' 8"	4' 4"	4' 1"	5' 1"	4' 6"	4' 1"	3' 10"	3' 7"	4' 0"	3' 6"	3' 2"	3' 0"	2' 10"	3' 10"	3' 4"	3' 1"	2' 10"	2' 8"
	Multiple	7' 5"	6' 6"	5' 11"	5' 6"	5' 2"	6' 6"	5' 8"	5' 2"	4' 10"	4' 7"	5' 1"	4' 5"	4' 0"	3' 9"	3' 6"	4' 10"	4' 3"	3' 10"	3' 7"	3' 2"
CRC-250	Single	6' 1"	5' 4"	4' 10"	4' 6"	4' 3"	5' 4"	4' 8"	4' 3"	4' 0"	3' 9"	4' 2"	3' 8"	3' 4"	3' 1"	2' 11"	4' 0"	3' 6"	3' 2"	3' 0"	2' 10"
	Multiple	7' 9"	6' 9"	6' 2"	5' 9"	5' 5"	6' 9"	5' 11"	5' 5"	5' 0"	4' 9"	5' 3"	4' 7"	4' 3"	3' 11"	3' 9"	5' 0"	4' 5"	4' 0"	3' 9"	3' 7"

ALLOWABLE U-CHANNEL (CRC) CEILING SPANS - L/360

Section	Spans	4 psf					6 psf					13 psf					15 psf				
		Channel Spacing (in) o.c.					Channel Spacing (in) o.c.					Channel Spacing (in) o.c.					Channel Spacing (in) o.c.				
		24	36	48	60	72	24	36	48	60	72	24	36	48	60	72	24	36	48	60	72
CRC-075	Single	3' 5"	3' 0"	2' 8"	2' 6"	2' 4"	3' 0"	2' 7"	2' 4"	2' 2"	2' 1"	2' 4"	2' 0"	1' 10"	1' 8"	1' 7"	2' 2"	1' 11"	1' 9"	1' 7"	1' 6"
	Multiple	4' 2"	3' 8"	3' 4"	3' 1"	2' 11"	3' 8"	3' 2"	2' 11"	2' 8"	2' 7"	2' 10"	2' 6"	2' 3"	2' 1"	1' 11"	2' 8"	2' 4"	2' 2"	2' 0"	1' 9"
CRC-150	Single	5' 6"	4' 10"	4' 5"	4' 1"	3' 10"	4' 10"	4' 3"	3' 10"	3' 7"	3' 5"	3' 9"	3' 3"	3' 0"	2' 9"	2' 7"	3' 7"	3' 2"	2' 10"	2' 7"	2' 5"
	Multiple	7' 1"	6' 2"	5' 8"	5' 3"	4' 11"	6' 2"	5' 5"	4' 11"	4' 7"	4' 4"	4' 10"	4' 2"	3' 9"	3' 4"	3' 0"	4' 7"	4' 0"	3' 6"	3' 1"	2' 9"
CRC-200	Single	5' 10"	5' 1"	4' 8"	4' 4"	4' 1"	5' 1"	4' 6"	4' 1"	3' 10"	3' 7"	4' 0"	3' 6"	3' 2"	3' 0"	2' 10"	3' 10"	3' 4"	3' 1"	2' 10"	2' 8"
	Multiple	7' 5"	6' 6"	5' 11"	5' 6"	5' 2"	6' 6"	5' 8"	5' 2"	4' 10"	4' 7"	5' 1"	4' 5"	4' 0"	3' 9"	3' 6"	4' 10"	4' 3"	3' 10"	3' 7"	3' 2"
CRC-250	Single	6' 1"	5' 4"	4' 10"	4' 6"	4' 3"	5' 4"	4' 8"	4' 3"	4' 0"	3' 9"	4' 2"	3' 8"	3' 4"	3' 1"	2' 11"	4' 0"	3' 6"	3' 2"	3' 0"	2' 10"
	Multiple	7' 9"	6' 9"	6' 2"	5' 9"	5' 5"	6' 9"	5' 11"	5' 5"	5' 0"	4' 9"	5' 3"	4' 7"	4' 3"	3' 11"	3' 9"	5' 0"	4' 5"	4' 0"	3' 9"	3' 7"

- Notes:
1. Multiple span indicates two or more equal spans with channel continuous over interior supports.
 2. End and interior bearing length = 0.75". Web stiffeners are not required.
 3. Listed spans are based on unbraced compression flanges.
 4. Moment of inertia for deflection is calculated at the maximum service level stress for the span and load listed. Note that this value may be higher than the effective I_{xx} listed in section property tables.



TRUE BRACE

Patent 10,309,107 | 10,590,647

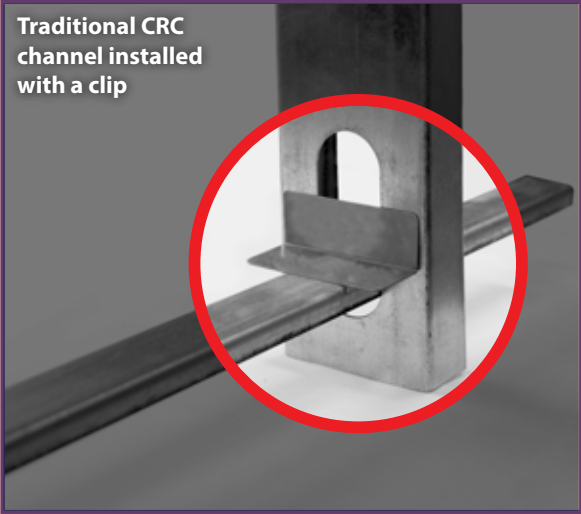
MECHANICAL BRIDGING AND BRACING

Product Data:

- Available in galvanized steel meeting ASTM A-1003 or hot-dipped galvanized steel meeting ASTM A-653, G60.
- Lengths: 52" stock length. (Other lengths available in 4" increments).
- Patent # 10,309,107 (True-Brace), Patent # 10,508,446 (True-Bridge).

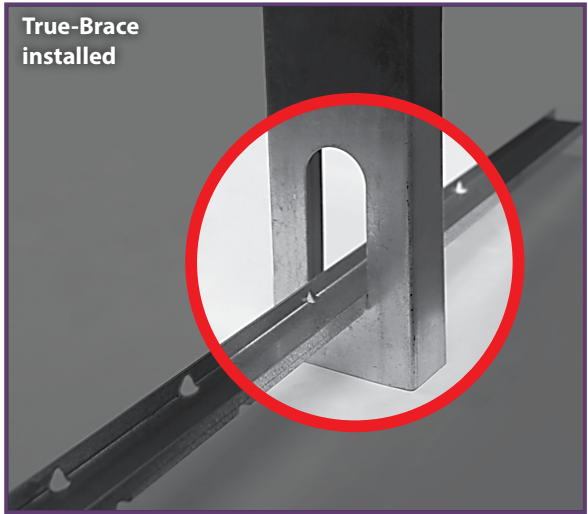
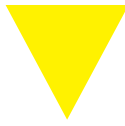
Uses:

- Bridging, (lateral support) in walls carrying axial and/or wind loads.
- Clips are not required for many non-load bearing applications.



Traditional CRC channel installed with a clip

SEE THE VIDEO



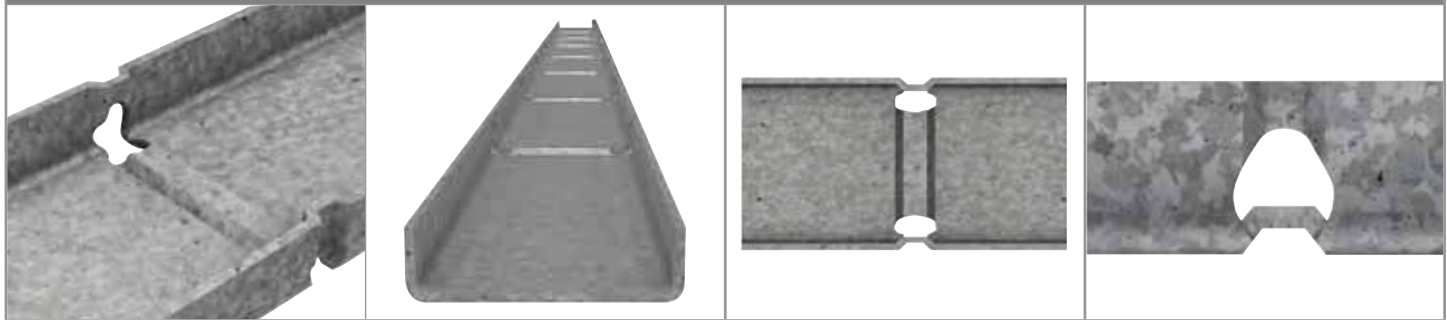
True-Brace installed

SECTION PROPERTIES

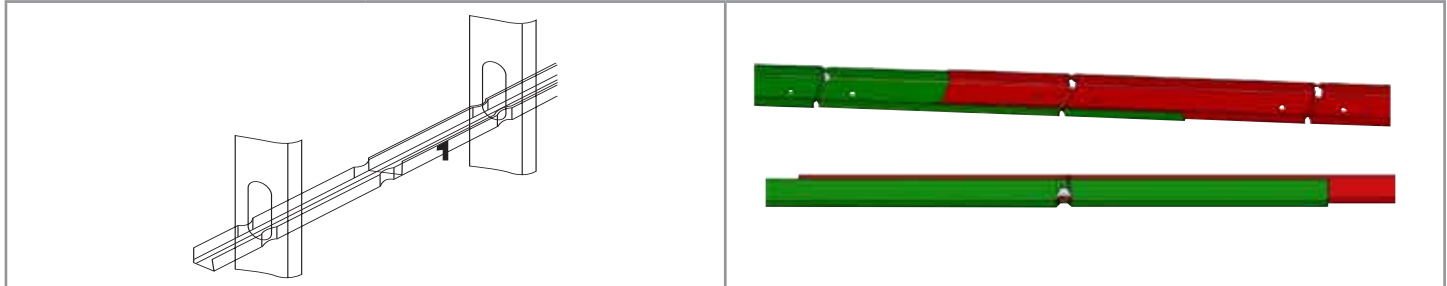
Section	Design Thickness (in)		Gross Properties								
			Fy (ksi)	Web (in)	Area (in ²)	Weight (lb/ft)	Ixx (in ⁴)	Sx (in ³)	Rx (in)	Iyy (in ⁴)	Ry (in)
TB150-54	0.0566	0.0538	50	1.57	0.132	0.45	0.0460	0.0053	0.590	0.002	0.125

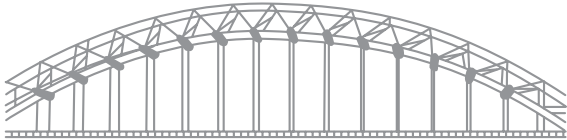
Section	Design Thickness (in)		Effective Properties							
			Fy (ksi)	Web (in)	Area (in ²)	Weight (lb/ft)	Ixd (in ⁴)	Sxe (in ³)	Ma-L (in-k)	Vax (lb)
TB150-54	0.0566	0.0538	50	1.57	0.132	0.45	0.0460	0.0053	1.586	1464

Product Details



True-Brace with self nesting geometry to fit one part inside of another and secured with a screw.
True-Brace locking features spaced every 4" to accommodate 12", 16" and 24" on center stud spacing.





TRUE-BRIDGE

Patent # 10,508,446 | 10,563,401

TRUE-BRIDGE CLIPS

True-Bridge Clips are a highly engineered new product from Telling used with True-Brace or traditional CRC mechanical bridging.

Telling's True-Bridge clips were engineered with the installer in mind. The ergonomic design facilitates easy screw drive access and hands free assembly.

The patented True-Bridge Clips are made of 18 gauge, premium steel and are available in two functional designs, terminating and joining.

TYPES OF TRUE-BRIDGE CLIPS:

True-Bridge Clip (Terminating)

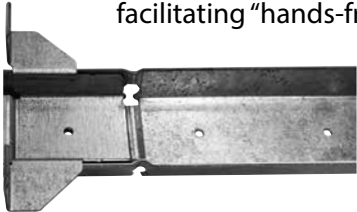
- Used to join True-Brace to a Stud at a corner, doorway, or end of wall
- 1.75" X 3.2" X 1.25"

True-Bridge Clip (Joining)

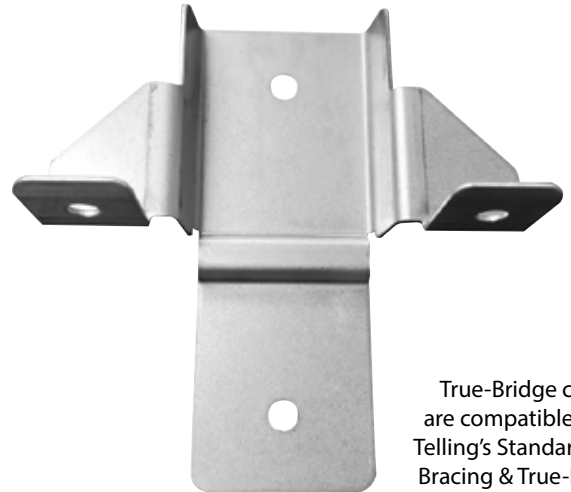
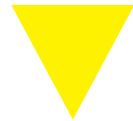
- Used to joint True-Brace to True-Brace or CRC to CRC for higher load applications
- 3.5" X 3.2" X 1.25"



Tabs prevent Clips from rotating facilitating "hands-free" installation



SEE THE VIDEO



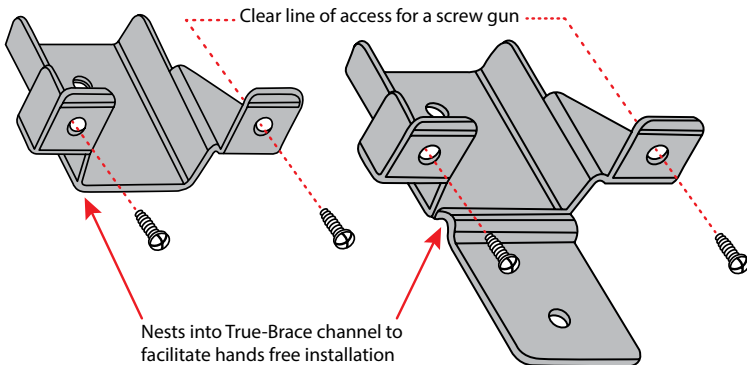
True-Bridge clips are compatible with Telling's Standard CRC Bracing & True-Brace.

FEATURES:

- Made of Galvanized Steel
- Highly Engineered for Ease of Installation
- Slides Easily into Place When Used in Conjunction with True-Brace

BENEFITS:

- Reduces Installation Time
- 10% Savings on Material and Labor Costs
- No Clips or Welding Required
- Easy Installation Due to Patented Design

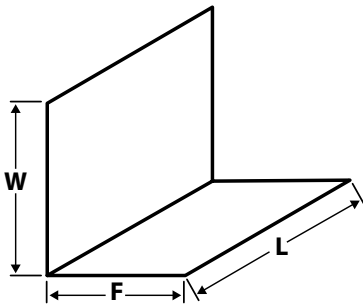


USES:

- Used to join True-Brace to a stud at a corner, doorway, or end of wall
- 1 Screw to True-Brace and up to 2 Screws to Stud
- Clip is also compatible with standard CRC Bracing



UTILITY ANGLE/ROLLED ANGLE (RA)



Note: 4 Screws min.

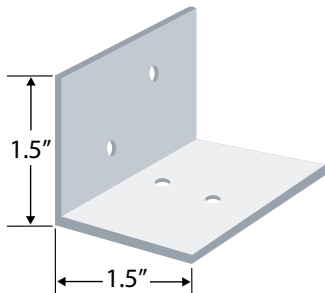
Product Data:

- Available in most sizes, lengths, and gauges
- 14ga standard right angle: 1.5" x 1.5" and 2.0" x 2.0"--16ga, 18ga standard right angle, 30mil, 20S 33mil: 1.5" x 1.5", 2.0" x 2.0", 3.0" x 3.0"
- 12ga, and any specialty angles > 3"x3" up to 8"x 8"

Uses:

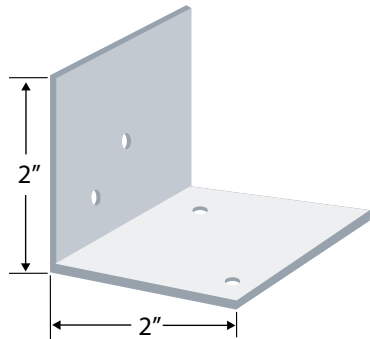
- For miscellaneous attachments of intersection framing components
- For attachment of joist framing components to flush mounted headers
- For attachment of solid blocking sections to adjacent studs of joists
- For alternate screw attachment of CRC bridging to stud webs in lieu direct weld
- For 90 degree corner enclosures at lapped framing location; provides in-plane stability of framework

CUSTOM HOLE PUNCH PATTERNS



Hole Standard Offering:

- Max of 6 hole grouping pattern, next pattern 1" apart.
 - 2 holes can be a max of 3" center line to center line side by side due to the width of the drill head attachment.
 - The 6 holes must be within a 10" length due to the length of the drill head attachment
- Slots: Please inquire
- Hole sizes: (#6, #8, #10, & #12 screw sizes)
 - Min hole size = 7/64" for a #6 screw
 - Must have 1/8" for #8 screw
 - Must have 5/32" hole for #10 screw
 - Must have 3/16" hole for #12 screw
 - Max hole size = 3/8"
- Dimensioned drawing or sketch of hole pattern & locations are required



Right Angle/Clip Angle Custom Holes:

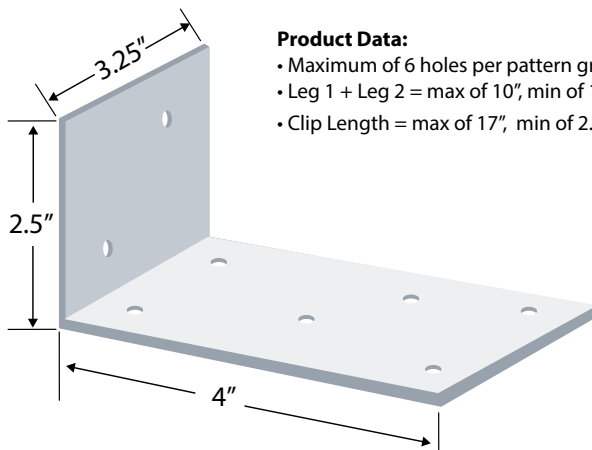
- Custom drilled holes are available in the following gauges & sizes for right angles:
 - 14ga standard right angle: 1.5" x 1.5" and 2.0" x 2.0"
 - 16ga, 18ga standard right angle, 30mil, 20S 33mil: 1.5" x 1.5", 2.0" x 2.0", 3.0" x 3.0"
 - 12ga, and any specialty angles > 3"x3" up to 8"x 8"

Custom Hole Punch Patterns

Illustration is an example of 1 of 1000's of possible custom hole patterns.

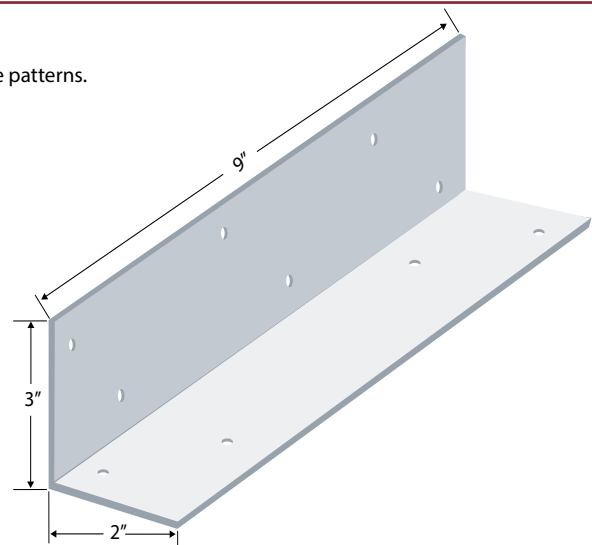
Product Data:

- Maximum of 6 holes per pattern grouping
- Leg 1 + Leg 2 = max of 10", min of 1.5"
- Clip Length = max of 17", min of 2.0"



Flat Strap Custom Holes:

Custom holes available in standard flat strap max thickness of 16ga
 Custom holes available in specialty flat strap in 12ga & 14ga



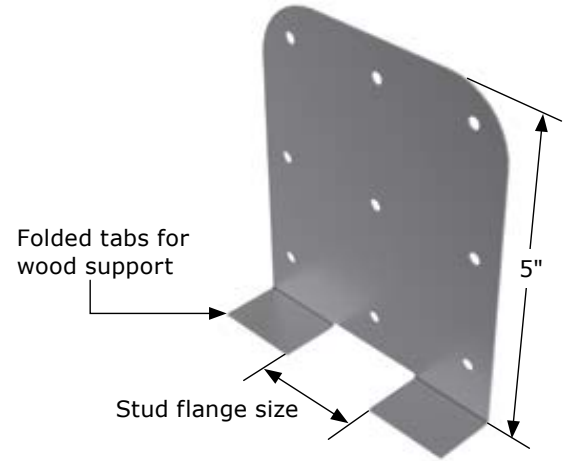
Z Furring Channel Custom Holes:

Custom holes available in standard Z furring with 1" Z max thickness of 16ga
 Custom holes available in specialty Z furring in 12ga & 14ga

KB KWIK BACK - WALL SUPPORT CLIP

Product Application

- Kwik-Back products are cost effective and labor saving solution to creating superior backing support for wall shelving, cabinetry, heavy wall hangings, and other equipment.
- Installation is simplified by using 2 or 3 screws to attach the clip to the stud flange. No pre-determined stud layout is required and ledge tabs are added for easy alignment. Attach 2" x 6" structure grade lumber (#1 or better) as required by codes or specifications.



Feature and Benefits

- Loads based on #8 screws
- Pre-punched guide holes
- Folded tabs for consistent wood positioning
- Screws included

Material Composition

- Mill certified steel
- ASTM A653/A653M
- 33 mil
 - 33 ksi yield strength
 - G60 galvanized coating

QUANTITY / ORDER INFORMATION

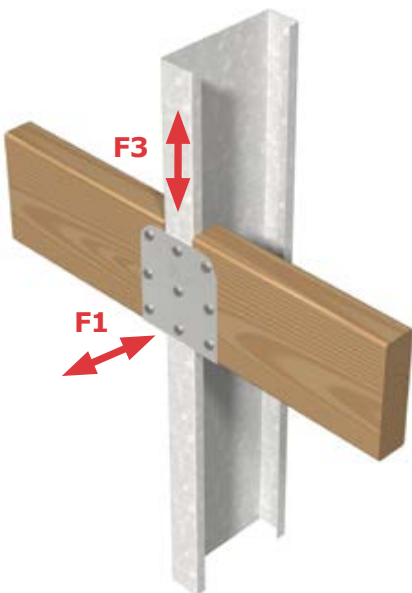
Part Number	Flange Width	Qty/Bucket	Lbs/Bucket
KB162-33	1-1/4" to 1-5/8"	200	50

ALLOWABLE LOADS

Part Number	Stud Properties			F1 Allowable Loads (Lbs)		F3 Allowable Loads (lbs)	
	Mil	Gauge	Fy (ksi)	2 #8 Screws	3 #8 Screws	2 #8 Screws	3 #8 Screws
KB	33	20 (S)	33	145	217	328	493

Notes:

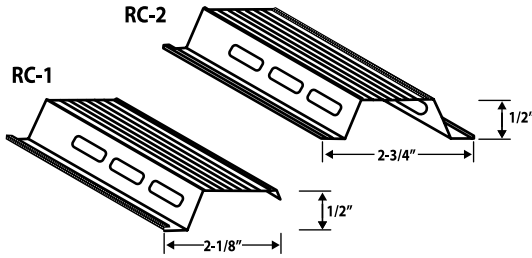
1. Allowable loads have not been increased for wind, seismic activity, or other factors.
2. The allowable loads are based on the steel properties of the members being connected, per AISI S100.
3. The nominal strength of the screw must be at least 3.75 times the allowable loads.
4. Values include a 3.0 factor of safety.
5. Penetration of screws through joined materials should not be less than three exposed threads. Install and tighten screws in accordance with the screw manufacturer's recommendations.
6. Allowable loads indicated on the table(s) are for force in single direction only. The designer shall use the combined forces check as required by AISI S100 if more than one force is applied to the connection.



Example of the Kwik-Back used for hanging cupboards.



(RC) RESILIENT FURRING CHANNEL



Product Data:

- RC-1: Single Leg
- RC-2: Double Leg
- Gauge: Standard 25 gauge conforming to ASTM A-653 and C-645
- Lengths: 12' 0" stock length
- RC-1: Screw attachment, one side only
- RC-2: Screw attachment, both sides

Uses:

- Used as cross furring members for resilient attachment of gypsum wallboard or lath on ceilings and partitions
- Decreased sound transmission through wall partitions and ceilings up to 13%

Product	Length	Wt./Ft.	Pcs./Ctn/	Ft./Ctn.
RC-1	12'	0.20	40	480
RC-2		0.24		

Supreme Tested Assemblies

RiverbankAcoustical

L A B O R A T O R I E S

All acoustical data was independently tested by Riverbank Acoustical Laboratories. Riverbank Acoustical is a nationally recognized company accredited by the National Institute of Standards and Technology (NIST) through the National Voluntary Laboratory Accreditation Program (NVLAP).

Partition Specifications

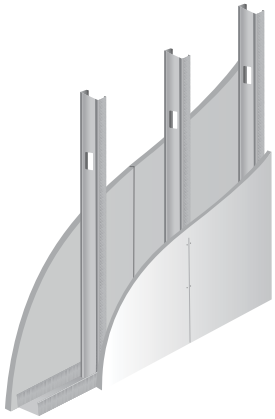
Partition Type	Side A	Side B	Gypsum Type	Insulation Type	Stud Spacing	STC Rating
1	1 layer	1 layer	5/8" Type X	-	24" oc	38
2	1 layer	1 layer	5/8" Type X	R-11 insulated	24" oc	47
3	1 layer	1 layer on RC-1	5/8" Type X	R-11 insulated	24" oc	52
4	2 layers	2 layers on RC-1	5/8" Type X	R-11 insulated	24" oc	61

Typical RC-1 Installation Instructions for Walls

- Bottom RC-1 installed with mounting leg turned up, spaced 2" up from top track leg.
- Top RC-1 installed with mounting leg turned down, spaced 6" down from track leg.
- Middle RC-1 installed with mounting leg turned down, spaced 24" apart.
- Please reference Gypsum Association's GA-216 guidelines.

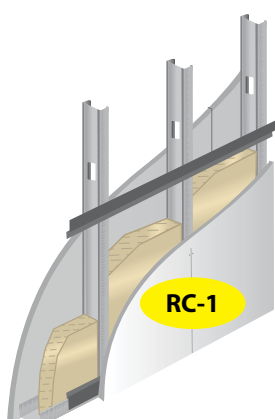
Typical RC-1 Installation Instructions for Ceilings

- When RC-1 is installed on a ceiling, it should be installed perpendicular to the joists.
- RC-1 should be installed on ceilings with the open side facing the same direction across the entire ceiling.
- RC-1 on ceilings should be install with maximum of 6" spacing out from a wall.
- 16" OC joist spacing use 24" RC-1 spacing. 24" OC joist spacing use 16" RC-1 spacing.
- RC-1 can be overlapped at a support location with a minimum of 4" overlap.
- No more than two 5/8" gypsum boards should be fastened to an RC-1 channel with a maximum load of 5 lbs per SF.



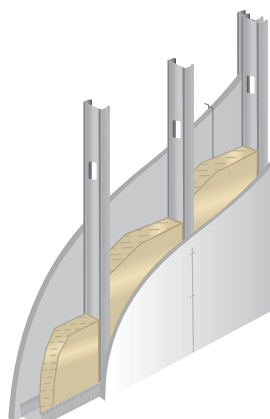
Partition Type 1

38 STC
3 5/8" Stud



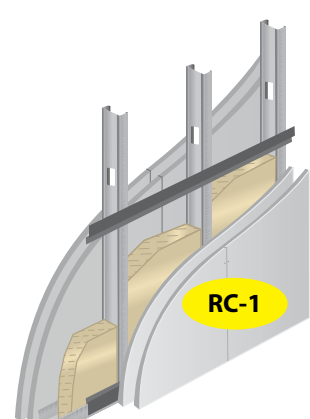
Partition Type 3

52 STC
3 5/8" Stud



Partition Type 2

47 STC
3 5/8" Stud

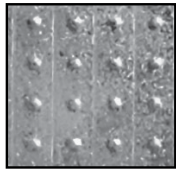
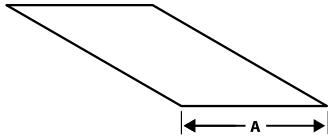


Partition Type 4

61 STC
3 5/8" Stud

(FS) TRUE-FLATSTRAP

TRUE FLATSTRAP



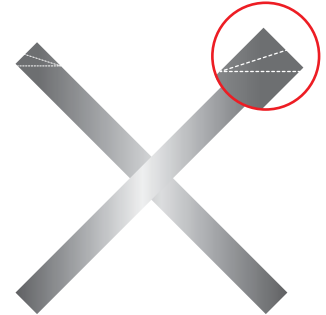
Knurled pattern for better screw starting.

Product Data:

- Designation: FS(Width)-Mil
- Ex: FS200-30
- Stock widths: 2", 4", 6", 8" and 10"
- Custom Widths are available in increments of even inches
- Length: 10', 12', 14', 16', 18', 20', 22', & 24' (custom lengths available in 1' increments)
- Note: 16' through 24' length will have additional packaging costs
-10 piece minimum order quantities must be strictly followed for 16' & longer lengths in order to package, ship, & handle safely
- Gauges:
- 33KSI: 25, 22, 20, 20S & 18 gauge
- 50KSI: 20S, 22, 16, 14 & 12 gauge
- Cut off angle: 90°, 45°, 40°, 35°, 30°, 25°, 20°, 15°, 10°, 5°
- Available in smooth (2"-10") and knurled textures from (2" - 8").
The knurled finish helps start a screw
- Coating:
- Drywall: Standard G-40 Hot Dipped Galvanized. Also Available in G-60 and G-90
- Structural: G-60 Hot Dipped Galvanized. Also Available in G-60 and G-90
- Meets applicable ASTM's for Structural and Drywall applications:
- ASTM- A1003, A-653, A924, C-645, C754, C955, C1007

Uses:

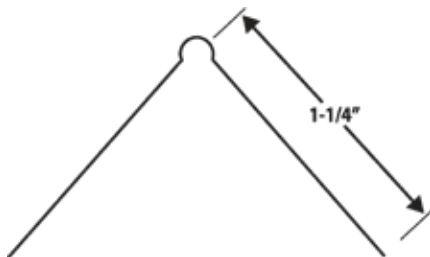
- Provides tension force resistance in shear wall assemblies
- Backing plates for fixtures, railings and where ever additional pullout strength is required
- Resists racking of prefabricated wall assemblies while handling, transporting, and erecting



- Factory pre-cut angled ends in 5° increments
- Embossed knurled pattern to make it easier to start a screw
- Longer lengths available

(DCB) DRYWALL CORNER BEAD

TRUEBEAD™



Product Data:

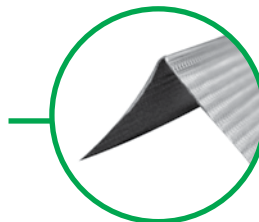
- Made of galvanized steel
- Optimized bend angle
- Reinforces drywall corners
- Prevents dents, scrapes and damage
- Deeper knurling for superior adhesion
- Staggered hole pattern for a smoother finish

Uses:

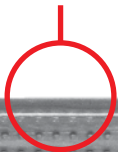
- Provides durable protection for drywall external corners.
- Specify hot-dipped for moist or humid conditions.

Length	Pieces Per Carton	Cartons Per Pallet	Pieces Per Pallet	Lineal Feet Per Carton
8'	63	50	3150	503
9'	56	50	2800	503
10'	50	50	2500	500
12'	50	50	2500	600

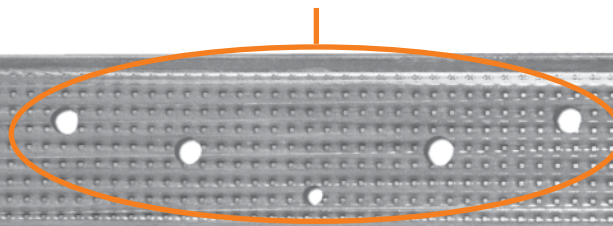
Optimized bend angle



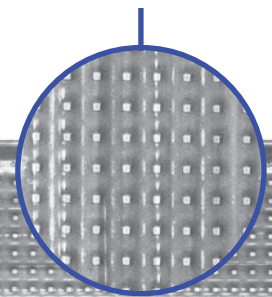
New nose design requires less mud for a superior finish every time!



Revised hole pattern for a smoother finish



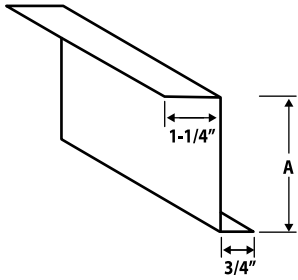
Deeper knurling for superior adhesion





LIGHT GAUGE METAL FRAMING ACCESSORIES

(ZFC) Z-FURRING CHANNEL



Product Data:

- Available in hot-dipped galvanized steel conforming to ASTM A-653 and C-645
- Gauges: Standard 25 gauge, (available in 20, 18, and 16 gauge upon request)
- Lengths: Standard 10'0" and 8'6" lengths, (other lengths available upon request)

Uses:

- Designed to accommodate the installation of rigid insulation board while providing an attachment for drywall or other facing materials to the interior side of masonry or monolithic concrete walls

Product	(A) in. Size	25 Ga. Wt./Ft.
Z-100	1.00	0.195
Z-150	1.50	0.225
Z-200	2.00	0.260

(RT) REVEAL TRIM



Product Data:

- An economical steel channel
- No joint cement required

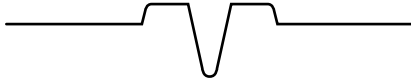
Uses:

- Provides edge protection around doors and windows or any partition junction openings

Product	Size Depth	Length (ft.)	Pcs./Ctn.	Ft./Ctn.
RT-50, RT-62	1/2" & 5/8"	8', 10'	63, 50	504, 500

Custom lengths and UPS labeling available upon request

093 EXPANSION CONTROL JOINT



Product Data:

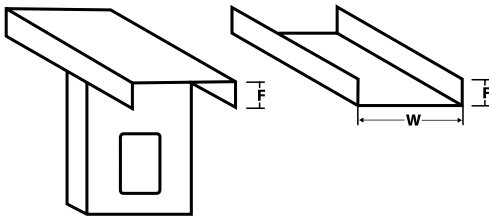
- Manufacturing from the highest quality pure zinc coil stock for superior corrosion resistance
- Fits standard 1/4" openings

Uses:

- Product is excellent for interior or exterior applications

Product	Length (ft.)	Pcs./Ctn.	Ft./Ctn.
093	10'	25	250

(CLT) CUSTOM LEG TRACK



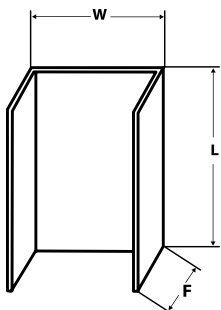
Product Data:

- Designation: CLT or VST width x gauge
- Widths: Multiple sizes and gauges available
- Gauge: Multiple sizes available
- Lengths: Standard 10'

Uses:

- CLT used for standard built construction with channel or bracing attached within 2' of track member to each stud
- For attachment at top of infill curtain wall systems to primary frame; allows for one half inch of live load deflection or settlement of the primary frame without transferring the load to the exterior wall while bracing the wall against lateral forces
- Variable width and height for track-in-track application such as panel construction

(WS) WEB STIFFENERS



Product Data:

- Designation: WS W x F x gauge
- Length: 4, 6, 7-1/4, 8, 9-1/4, 10, 12 inch
- Galvanized finish
- For axial capacities contact Telling Industries Engineering

Uses:

- For web reinforcement of C shaped framing members
- Allow transfer of axial loads through joists at bearing conditions of platform frames



LIGHT GAUGE METAL FRAMING ACCESSORIES

SLOTTED TRACK



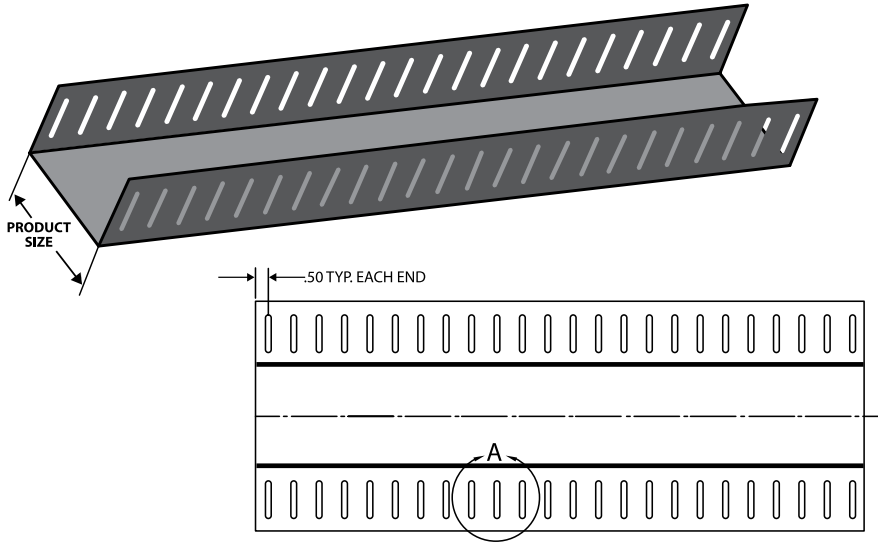
Product Data:

- UL Classified in over 80 approved fire-rated systems
- Meets movement and cycling requirements for ANSI/UL 2079
- Custom web, leg and lengths are available (Custom slot sizes are not available)
- Integrated with traditional wall systems
- Easy installation reduces labor costs

Uses:

- Fire-rated deflection system
- Positive attachment provided for wall strength
- Standard Slotted Track allows vertical movement
- Absorbs head-of-wall and floor extension or compression movement

2.5" Slotted Track

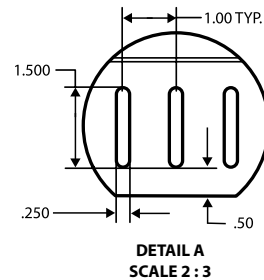


Product Sizes:

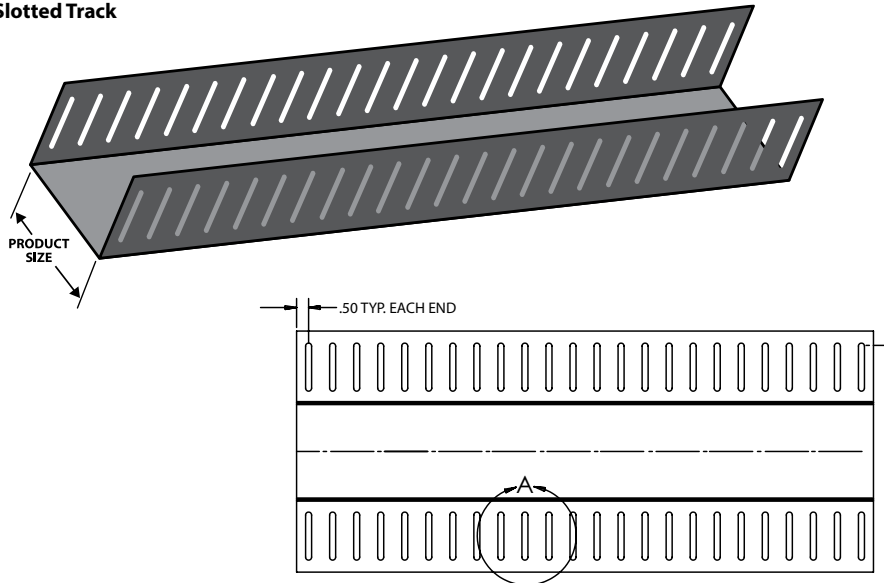
- Max Web: 8"
- Flange: 2.5"

Material Gauges

- .030" Minimum
- .071" Maximum



3" Slotted Track

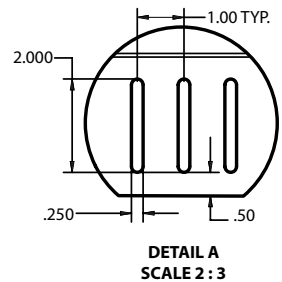


Product Sizes:

- Max Web: 8"
- Flange: 3"

Material Gauges

- .030" Minimum
- .071" Maximum



ALLOWABLE WALL HEIGHTS (ft)

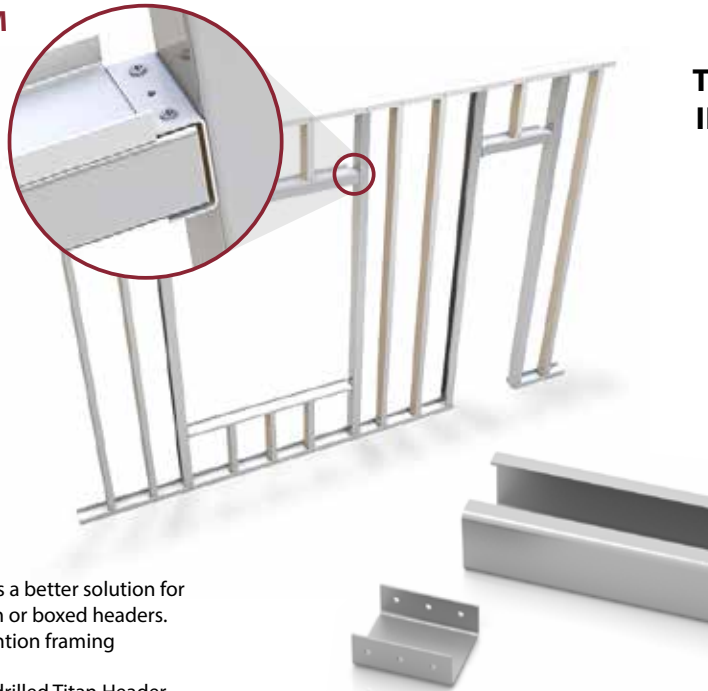
Gauge		Strength Fy (ksi)	Allowable Reaction (lb/stud)	Lateral Pressure (PSF)											
Mill Thickness (mils)	Design Thickness (in)			5 PSF			10 PSF			20 PSF			30 PSF		
				Stud Spacing (in)			Stud Spacing (in)			Stud Spacing (in)			Stud Spacing (in)		
				12	16	24	12	16	24	12	16	24	12	16	24
33	.0346	33	98	39.2	29.4	19.6	19.6	14.7	9.8	9.8	7.35	4.9	6.533	4.9	3.267
43	.0451	33	172	68.8	51.6	34.4	34.4	25.8	17.2	17.2	12.9	8.6	11.47	8.6	5.733
54	.0566	50	423	169.2	126.9	84.6	84.6	63.45	42.3	42.3	31.73	21.15	28.2	21.15	14.1
68	.0713	50	626	250.4	187.8	125.2	125.2	93.9	62.6	62.6	46.95	31.3	41.73	31.3	20.87

- Note:**
1. Based on testing and analysis by Structural Testing and Research (STaR) Report No. 3160903 dated March 29, 2010 (Amended May 19, 2010).
 2. Testing based on maximum 7/8" gap between end of stud and track web.
 3. Testing based on #8 screws each leg for 33-mil track, #10 each leg for 43, 54 and 68-mil track. All screws were pan head, 0.43 inch head diameter.
 4. Loads have not been modified for duration of load.

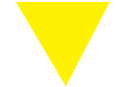


LIGHT GAUGE METAL FRAMING ACCESSORIES

ONE PIECE HEADER FRAMING SYSTEM



**CLICK HERE
TO WATCH THE
INSTALLATION
VIDEO**



Product Data:

- Material Specifications: ASTM 1003, Grade 50
- one piece wide flange header and jamb
 - Widths: 3-5/8", 4", 6", & 8"
 - Flanges: 2, 2-1/2" & 3"
 - Lip/Return: 7/8"
 - Thickness:
 - 54 mils (16ga) 50KSI
 - 68 mils (14ga) 50KSI
 - 97 mils (12ga) 50KSI

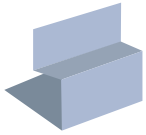
Uses:

- The Titan one piece wide flange header and jamb offers a better solution for framing multiple openings than the conventional lay-in or boxed headers.
- Saves over 50% in installation and material over convention framing
- No more built-up jambs and headers
- Header quickly attaches to jamb with fully tested, pre-drilled Titan Header Clip.

Physical Properties				Gross Properties								Effective Properties								Torsional Properties					
Section	Thickness (in)	Lip (in)	Fy (ksi)	Area (in ²)	Weight (lb/ft)	Ix (in ⁴)	Sx (in ³)	Rx (in)	Iy (in ⁴)	Sy (in ³)	Ry (in)	Ixe (in ⁴)	Sxe (in ³)	Max (in-k)	Vax (web) (lb)	Iye (in ⁴)	Sye (in ³)	May (in-k)	Vay (flanges) (lb)	Jx1000 (in ⁴)	Cw (in ⁶)	Xo (in)	m (in)	Ro (in)	β
362TH250-54	0.0566	0.875	50	0.563	1.917	1.242	0.685	1.485	0.535	0.362	0.975	1.242	0.589	17.64	3372	0.422	0.314	9.40	4706	0.602	2.137	-2.373	1.381	2.964	0.359
362TH250-68	0.0713	0.875	50	0.702	2.389	1.531	0.845	1.477	0.656	0.443	0.967	1.531	0.781	23.37	4370	0.534	0.404	12.10	5731	1.190	2.612	-2.355	1.371	2.943	0.360
362TH250-97	0.1017	0.875	50	0.978	3.329	2.085	1.150	1.460	0.882	0.595	0.950	2.085	1.134	38.15	5943	0.714	0.547	16.37	7595	3.373	3.497	-2.317	1.351	2.898	0.361
362TH300-54	0.0566	0.875	50	0.620	2.110	1.422	0.785	1.515	0.822	0.469	1.151	1.386	0.628	18.81	3372	0.653	0.408	12.20	5767	0.662	3.237	-2.860	1.640	3.435	0.307
362TH300-68	0.0713	0.875	50	0.773	2.631	1.756	0.969	1.507	1.010	0.576	1.143	1.756	0.812	24.31	4370	0.828	0.525	15.70	7068	1.310	3.965	-2.841	1.630	3.413	0.307
362TH300-97	0.1017	0.875	50	1.080	3.675	2.400	1.324	1.491	1.368	0.779	1.126	2.400	1.259	37.68	5943	1.115	0.715	21.41	9502	3.723	5.337	-2.803	1.610	3.369	0.307
400TH250-54	0.0566	0.875	50	0.585	1.989	1.556	0.778	1.632	0.555	0.366	0.975	1.556	0.662	19.82	3372	0.432	0.321	9.60	4706	0.624	2.519	-2.311	1.355	2.992	0.404
400TH250-68	0.0713	0.875	50	0.729	2.480	1.920	0.960	1.623	0.681	0.449	0.967	1.920	0.880	26.33	4871	0.563	0.408	12.22	5731	1.235	3.081	-2.292	1.345	2.971	0.405
400TH250-97	0.1017	0.875	50	1.016	3.459	2.621	1.311	1.606	0.917	0.603	0.950	2.621	1.296	43.59	6658	0.762	0.562	16.82	7595	3.504	4.135	-2.254	1.325	2.926	0.406
400TH300-54	0.0566	0.875	50	0.641	2.182	1.777	0.888	1.664	0.852	0.476	1.153	1.734	0.705	21.11	3372	0.667	0.415	12.43	5767	0.685	3.819	-2.792	1.613	3.449	0.345
400TH300-68	0.0713	0.875	50	0.800	2.722	2.195	1.098	1.657	1.048	0.584	1.145	2.195	0.913	27.33	4871	0.870	0.530	15.85	7068	1.356	4.683	-2.774	1.603	3.428	0.345
400TH300-97	0.1017	0.875	50	1.118	3.805	3.007	1.504	1.640	1.421	0.791	1.127	3.007	1.430	42.81	6658	1.858	0.735	21.99	9502	3.855	6.317	-2.735	1.583	3.383	0.346
600TH250-54	0.0566	0.875	50	0.698	2.375	3.963	1.321	2.383	0.642	0.384	0.959	3.963	1.203	32.21	2823	0.455	0.329	9.84	4706	0.745	5.344	-2.031	1.230	3.275	0.615
600TH250-68	0.0713	0.875	50	0.871	2.965	4.908	1.636	2.373	0.788	0.471	0.951	4.908	1.551	43.46	5350	0.610	0.417	12.48	5731	1.476	6.563	-2.013	1.221	3.254	0.617
600TH250-97	0.1017	0.875	50	1.220	4.151	6.754	2.251	2.353	1.063	0.635	0.934	6.754	2.251	73.36	10472	0.928	0.590	17.66	7595	4.205	8.880	-1.976	1.201	3.211	0.622
600TH300-54	0.0566	0.875	50	0.754	2.567	4.462	1.488	2.432	0.986	0.501	1.143	4.390	1.277	33.68	2823	0.700	0.425	12.72	5767	0.806	8.115	-2.483	1.481	3.659	0.539
600TH300-68	0.0713	0.875	50	0.943	3.207	5.534	1.845	2.423	1.214	0.616	1.135	5.534	1.610	45.70	5350	0.937	0.541	16.19	7068	1.597	9.992	-2.465	1.471	3.638	0.541
600TH300-97	0.1017	0.875	50	1.322	4.497	7.639	2.546	2.404	1.649	0.835	1.117	7.639	2.442	71.74	10472	1.431	0.771	23.09	9502	4.556	13.587	-2.427	1.451	3.594	0.544
800TH250-54	0.0566	0.875	50	0.811	2.760	7.765	1.941	3.094	0.705	0.395	0.932	7.765	1.756	44.21	2091	0.463	0.330	9.88	4706	0.866	9.639	-1.818	1.130	3.708	0.759
800TH250-68	0.0713	0.875	50	1.014	3.450	9.638	2.409	3.083	0.865	0.485	0.924	9.638	2.291	60.19	4221	0.628	0.420	12.57	5731	1.718	11.864	-1.801	1.120	3.688	0.762
800TH250-97	0.1017	0.875	50	1.423	4.843	13.327	3.332	3.060	1.167	0.654	0.906	13.327	3.332	103.13	10885	0.977	0.598	17.89	7595	4.907	16.123	-1.765	1.102	3.647	0.766
800TH300-54	0.0566	0.875	50	0.868	2.952	8.657	2.164	3.159	1.085	0.517	1.118	8.579	1.826	45.96	2091	0.712	0.427	12.78	5767	0.927	14.643	-2.244	1.372	4.033	0.690
800TH300-68	0.0713	0.875	50	1.085	3.693	10.758	10.758	3.149	1.336	0.636	1.110	10.758	2.371	62.83	4221	0.962	0.545	16.30	7068	1.839	18.066	-2.226	1.363	4.012	0.692
800TH300-97	0.1017	0.875	50	1.525	5.189	14.913	3.728	3.127	1.817	0.863	1.092	14.913	3.576	100.11	10885	1.502	0.781	23.39	9502	5.257	24.677	-2.188	1.343	3.970	0.696

1. Section properties are based on the AISI S100-07 with Supplement S2-10 with U.S. provisions.
 2. The structural properties are based on allowable strength design (ASD).
 3. The distortional buckling calculations are based on KΦ=0.
 4. Effective properties incorporate the strength increase from the cold work of forming.
 5. Tabulated gross properties are based on the full-unreduced cross section away from punch outs.

Header Size		Titan Header Clip Allowable Load Capacity	
Web Depth (in)	Flange Width (in)	Vertical Load (lbs)	Horizontal Load (lbs)
03-5/8	2-1/2	1140	1520
		1140	1740
		1140	1930
3-5/8	3	1140	1520
		1140	1740
		1140	1930



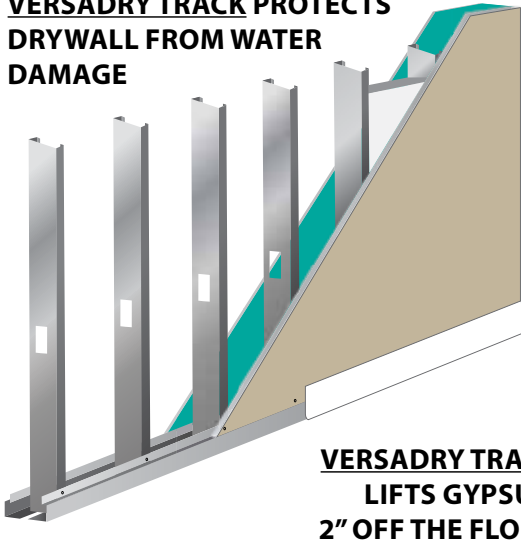
VERSADRY

DRYWALL TRACK

VERSADRY DRYWALL TRACK SYSTEM

Patented system allows the installation of drywall to sit 2 inches off the floor on a steel shelf. This shelf mitigates the wicking of water both during construction and the life of the building.

VERSADRY TRACK PROTECTS DRYWALL FROM WATER DAMAGE



VERSADRY TRACK LIFTS GYPSUM 2" OFF THE FLOOR

Wall damage *without* VersaDry



IMPROVED AESTHETICS

Unightly wall damage is mitigated with VersaDry Technology. The damage created by gypsum in close contact with water and moisture on the floor is a thing of the past.



VERSADRY TRACK: 2 PIECE DESIGN

Thickness Nomenclature	Non-Rate Length	1 Hour Rated	2 Hour Rated	Min Base Metal Thickness (in)	Design Thickness (in)	Min Yield Strength (ksi)	Standard Galvanization	Web Sizes (in)
VDT2-18	24'	10'	10'	0.0179"	0.0186"	33 ksi	G40	2 piece design. Any web size is possible
VDT2-30	12'	N/A	N/A	0.0296"	0.0312"	33 ksi	G40	2 piece design. Any web size is possible

VERSADRY TRACK: 1 PIECE DESIGN

Thickness Nomenclature	Non-Rate Length	1 Hour Rated	2 Hr Rated	Min Base Metal Thickness (in)	Design Thickness (in)	Min Yield Strength (ksi)	Standard Galvanization	Web Sizes (in)
VDT1-18	12' Press Brake	Coming Soon	Coming Soon	0.0179"	0.0186"	33 ksi	G40	3-5/8", 4", 5.5", 6"
VDT1-30	12' Press Brake	Coming Soon	Coming Soon	0.0296"	0.0312"	33 ksi	G40	3-5/8", 4", 5.5", 6"

VERSADRY DIMENSIONS

	Gypsum Ledge Height	Gypsum Ledge Width
Non-Rated	2.00"	0.688"
1 Hour Fire Rated	2.00"	0.688"
2 Hour Fire Rated	2.00"	1.295"

- **KEEPS GYPSUM DRY**
- **IMPROVED FIRE RESISTANCE**
- **IMPROVED ACOUSTICAL PERFORMANCE**
- **ELEGANT FINAL FIT AND FINISHED APPEARANCE**
- **HELPS REDUCE MOLD GROWTH**

VERSADRY TRACK CERTIFICATIONS:

RESISTANCE:

- 3rd party tested to meet a 1 hour & 2 hour Fire Rating for UL Wall Design U423 per ASTM E119
- 1 hour Fire Rating for UL Wall Design U423 per ASTM E119 with 18mil VersaDry Track, 1 layer of 5/8" Type X Gypsum, & 20ga 3-5/8" studs spaced 16"OC.
- 2 hour Fire Rating for UL Wall Design U423 per ASTM E119 with 18mil VersaDry Track, 2 layers of 5/8" Type X Gypsum, & 20ga 3-5/8" studs spaced 16"OC.

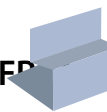
AUSTICAL PERFORMANCE:

- 3rd part tested per ASTM E90-09 and calculated per ASTM E413-16.
- STC = 45 for Non-Fire Rated 18mil VersaDry Track w/ 1 layer of 5/8" Type X Gypsum
- STC = 48 for Non-Fire Rated 18mil VersaDry Track w/ 1 layer of Impact Resistant Gypsum
- STC = 46 for 1 hour Fire Rated 18mil VersaDry Track w/ 1 layer of Impact Resistant Gypsum
- STC = 53 for 2 hour Fire Rated 18mil VersaDry Track w/ 2 layers of 5/8" Type X Gypsum

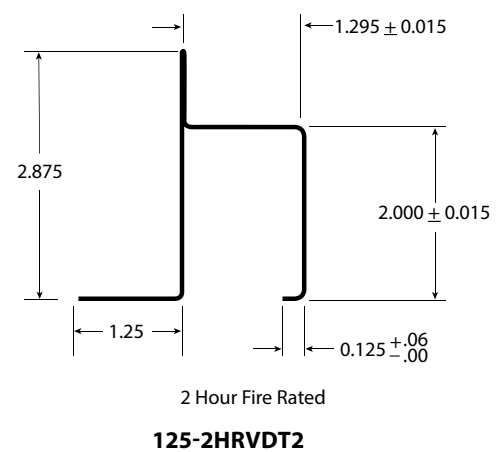
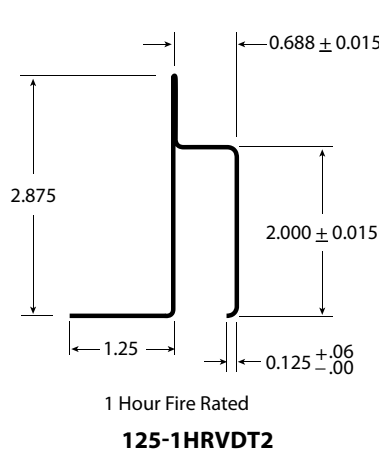
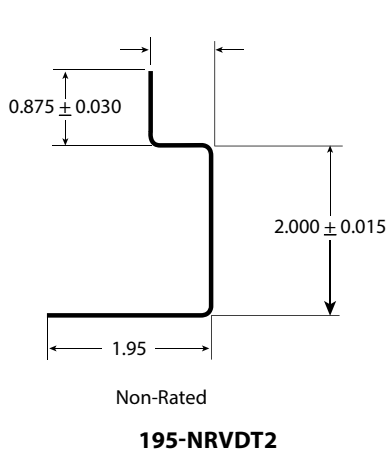
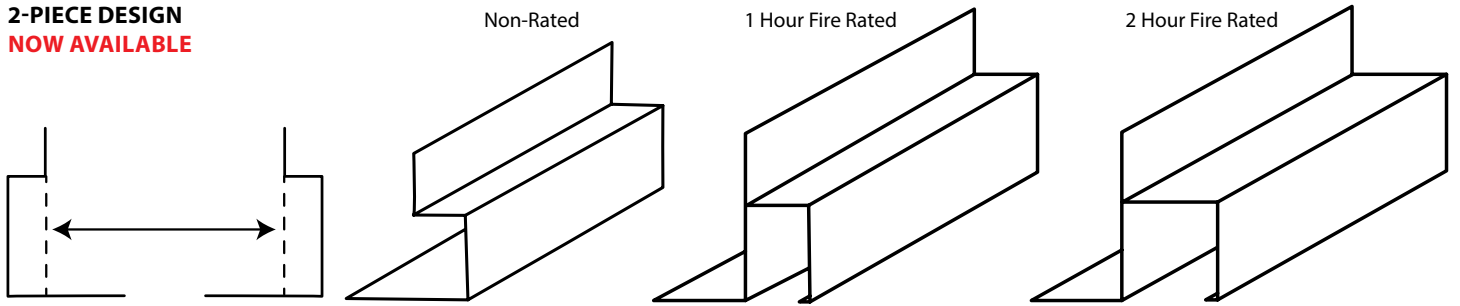
NO CAULK NEEDED!

CLICK HERE TO WATCH THE VIDEO

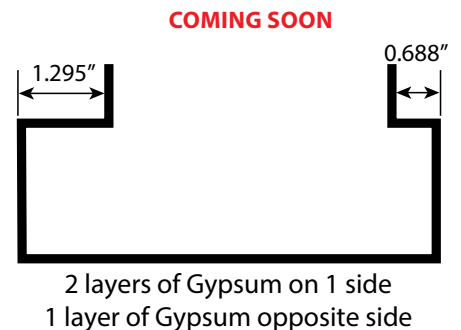
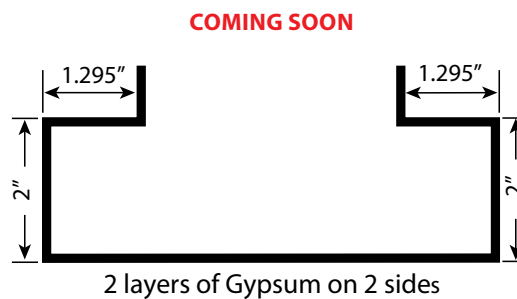




VERSADRY
2-PIECE DESIGN
NOW AVAILABLE



VERSADRY
1-PIECE DESIGN



TELLING®

BUILDSTRONG™



Telling® Industries
Corporate Headquarters
4420 Sherwin Road
Willoughby, OH 44094
Phone: 440-974-3370
Toll Free: 866-FRAME-TI(372-6384)
Fax: 440-974-3408
E-mail: sales.corp@tellingindustries.com

Telling® Industries
Midwest Facility
2105 Larrick Road
Cambridge, OH 43725
Phone: 740-435-8900
Toll Free: 866-35STUDS (357-8837)
Fax: 740-435-8915
E-mail: sales.oh@tellingindustries.com

Telling® Industries
Midsouth Facility
1400 Southwire Drive
Osceola, AR 72370
Phone: 870-563-6065
Toll Free: 888-711-3124
Fax: 870-563-2471
E-mail: sales.ar@tellingindustries.com

Telling® Industries
Northeast Facility
1050 Kennedy Road
Windsor, CT 06095
Toll Free: 866-372-6384
Fax: 440-974-3408
E-mail: sales.corp@tellingindustries.com

For more information, please contact Telling Industries at 1-866-372-6384.
This technical information reflects the most current information available and supersedes any and all previous publications.

Revised 11/8/21

www.BUILDSTRONG.com